

Installation instructions for linings – Custom Covers traditional tent

□ **H&S**

Note! It is important to remove the need to walk at height by joining the pallets and ropes on to the king poles before lifting the tent.

□ **PPE**

We recommend that you wear a hard hat and gloves whilst fitting the linings. Other PPE may be necessary due to site requirements and other hazards.

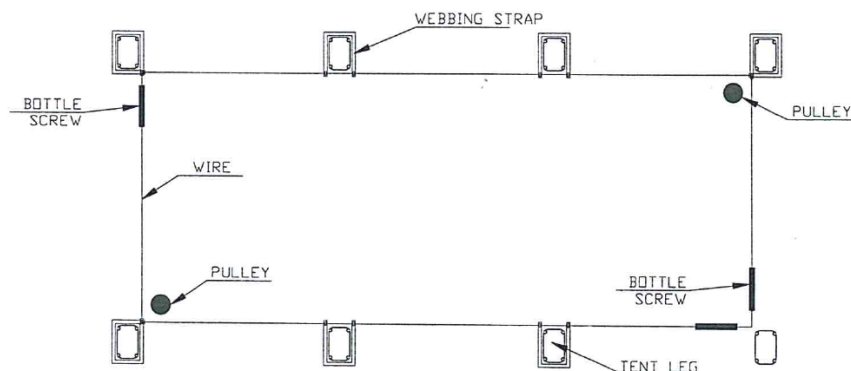
□ **Components**

1. King pole bail ring (2 part with 2 pins)
2. Lifting pully system, 2 per king pole.
3. Lifting pole if required.

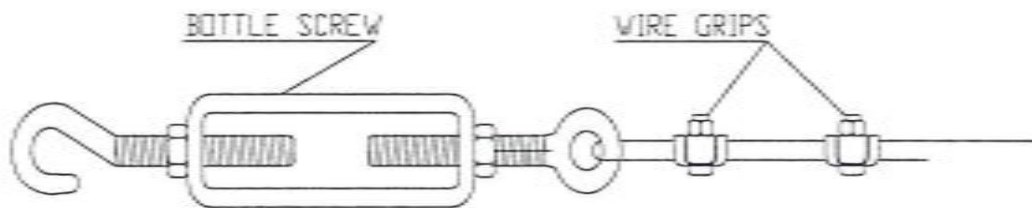
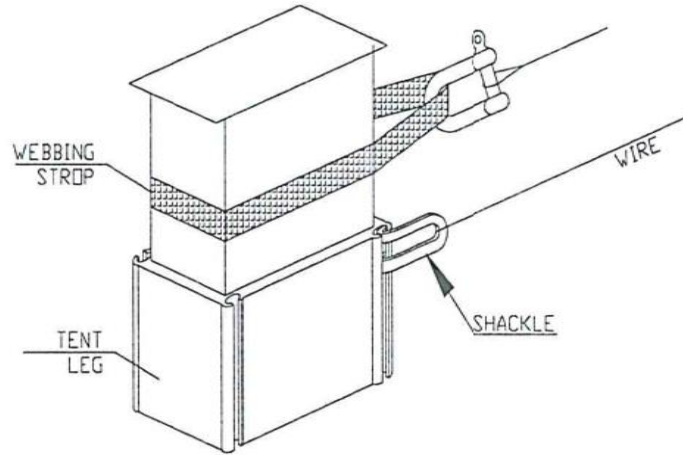
See attached sketches for ease of reference.

□ **Method:**

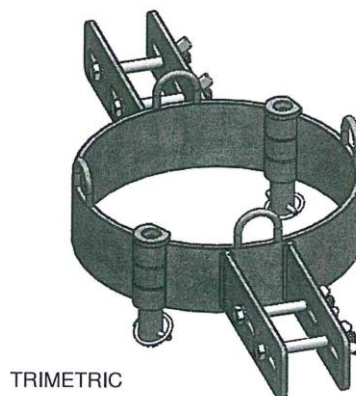
1. Prepare a suitable surface to lay down linings, carpet/flooring/ground sheet. Rig each lifting pulley assembly using a pulley with becket at the top and a single pulley at the bottom. Tie off lifting rope to becket and pass through lower pully then back up through upper pully, with the loose end continuing to the ground.
2. Shackle upper pulley (with becket) to eye bolts at top of kings pole. A pair of pulleys should be used on the opposite side of the king pole to give stability. Raise tent in the normal way and rig a perimeter of wire. Measure the linings wall. Wrap a wire around each corner leg at lining waal height and attach small pulleys to opposite corners of the marquee. Feed a wire through the pulleys with a bottle screw and 2 clamps on each end.



3. Make sure the bottlescrew is fully opened and hook on to wires at opposite corners. Pull wire tight through bottlescrew then tighten clamps. Close bottlescrew as tight as possible to tension the wire.



4. Open the bail rig and pass round the king pole close so it's secure. Fit securing pins with locking R clips.



5. Attach lower pulleys to opposite sides of bail ring, passing lifting tail of rope between bail ring and king pole. Thus when lifting the bail ring, the end of the lifting rope is between the ring and the king pole.

6. Raise bail ring to chest height and tie off. If using a linings lifting pole for this fit the lining lifting pole and attach roof to lifting pole.
7. Attach the centre webbings of the roof to the bail ring and the mid parts of the hip ends.
8. Close the velcro joints between the roof and the hips.
9. Take eave ends of roof and hips up to the perimeter wire. Use hooks to secure the wire.
10. Raise linings to desired height and fullness and tie off lifting ropes to kingpole.

The removal is the opposite to the installation.

Illustrations

