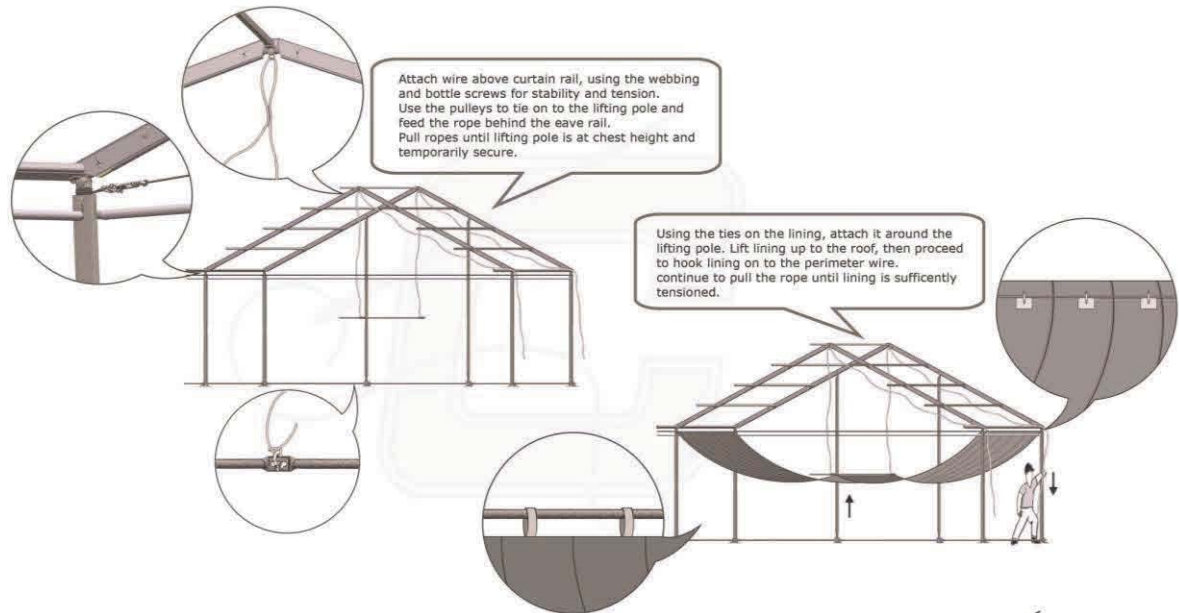
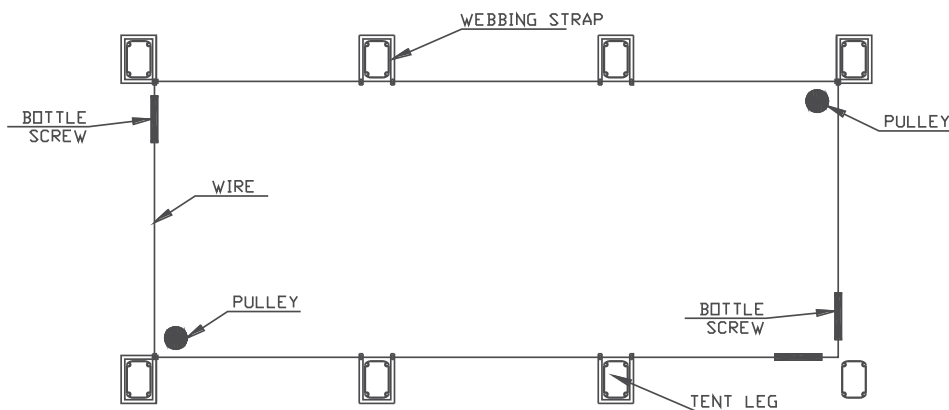


Linings

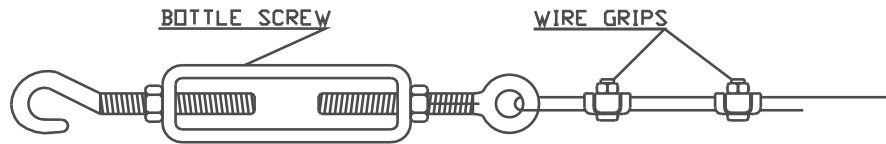
- Tie the pulleys supplied to ridge knuckles with the long ropes put through each pulley to hang down each side. Repeat this on every bay. If fitting hip ends, do not put pulleys on each end of the marquee, if fitting gables put pulleys right up to each end.



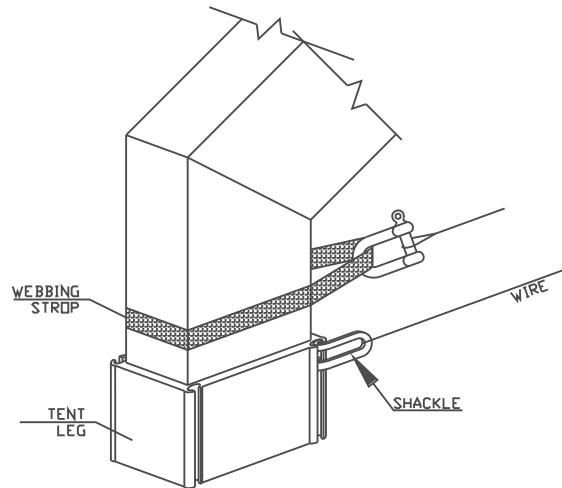
- Clamp the lifting poles together using the shackles supplied. Tie one end of the rope to the lifting pole. The other end must be fed behind the wire between the eave and the wire (see next step).
- **To fit wires.** Measure lining wall. Wrap a wire around each corner leg at lining wall height and attach small pulleys to opposite corners of the marquee. Feed a wire through the pulleys and once fitted, attach a bottlescrew and 2 clamps on each end.



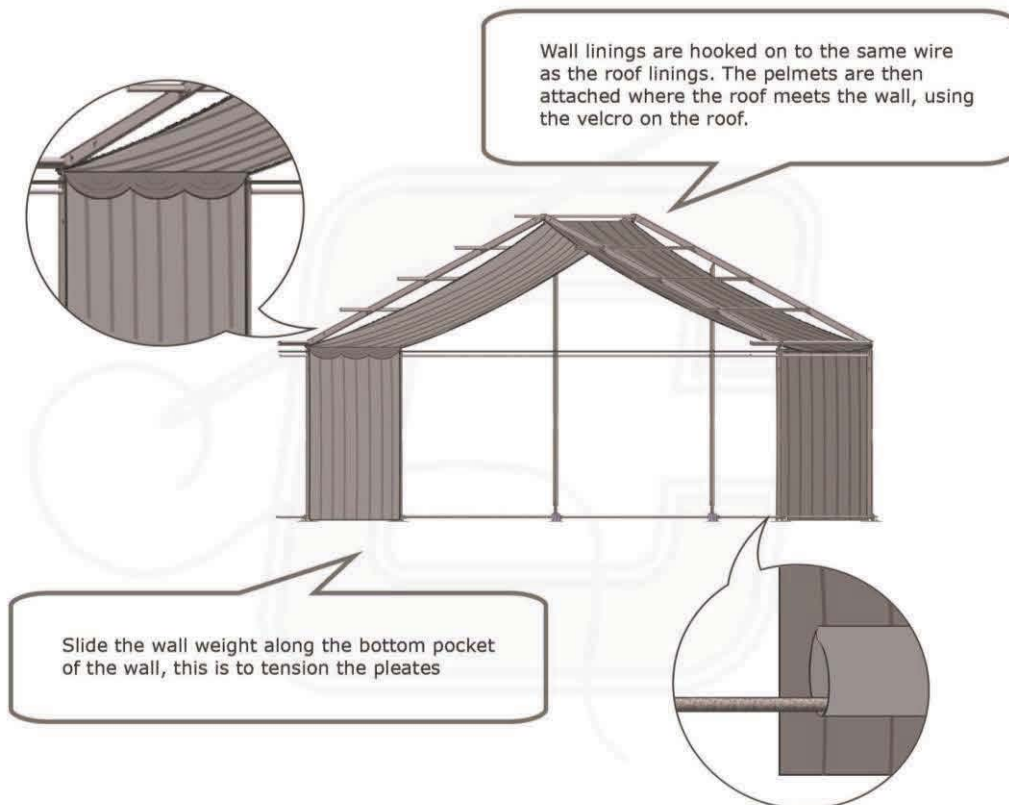
Make sure bottlescrew is fully opened and hook on to wires at opposite corners. Pull wire tight through bottlescrew then tighten clamps. Close bottlescrew as tight as possible to tension the wire.



There are two ways to stop the wire from pulling out when you attach the roof lining. (i) Attach a shackle in the kadeer track and clamp around wire. (ii) Use webbing straps with a shackle. (iii) Attach a Lining Clamp into the kadeer track.

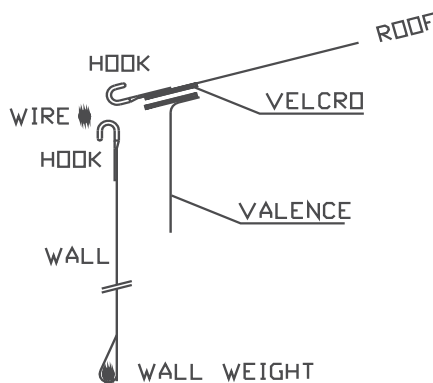


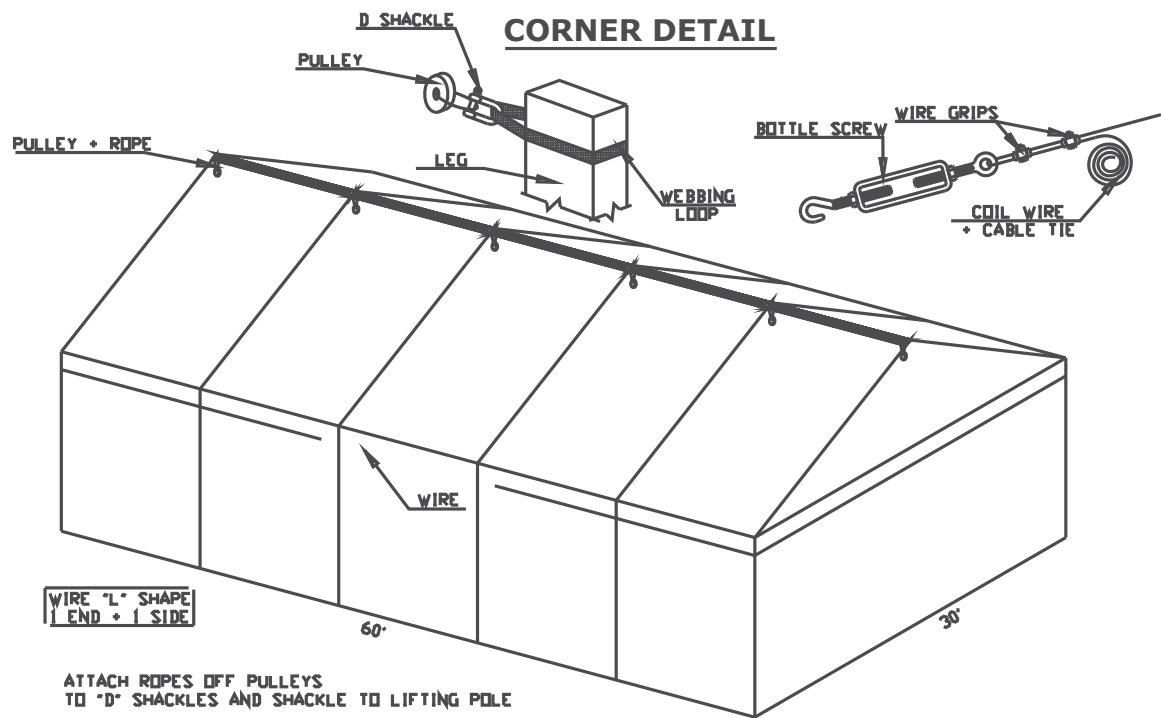
- Pull up the lifting poles to shoulder height, and then attach the roof extensions by tying the webbing straps in a bow like a shoelace. Repeat on every bay. Attach each roof to it's neighbour and pull down the length of the ridge to get a taut straight line. Attach the gable to the roofs at each end ensuring that the webbing is secured to the lifting bar. To attach a hip end there is a webbing strap with an eyelet through. Tie this around the end of the lifting pole.



- Lift poles to above eave height, then hook the linings up on the wire all the way round. Tie the corners with the webbing straps supplied, and then fasten all the hook & loop fastenings together. Pull the poles up as high as you can to tension the roof. (Some people prefer to fit the hook & loop fastenings once the roofs are lifted into the ridge, safe access at height is required for this)

- To hang the walls or above door walls, hook on to the main wire. Window drapes attach to the hook & loop fastenings sewn on the edge of the roof linings. Swagged or pleated pelmets hook & loop fasten on to the roof linings also. On the walls there is a pocket at the bottom for the wall weight to slide in to weight down the walls.





STARLIGHT LININGS

NB: When fitting starlight linings ensure all master looms are on the same side of the marquee.