

SCALE: NTS
VIEW/
K SIDE:

NOTES:
1. THIS DRAWING IS THE PROPERTY OF CUSTOM OVERLAYS (1994) LTD. AND IS ISSUED ON THE CONDITION THAT IT IS NOT REPRODUCED OR COPIED TO ANY UNAUTHORISED PARTIES WITH WRITTEN PERMISSION

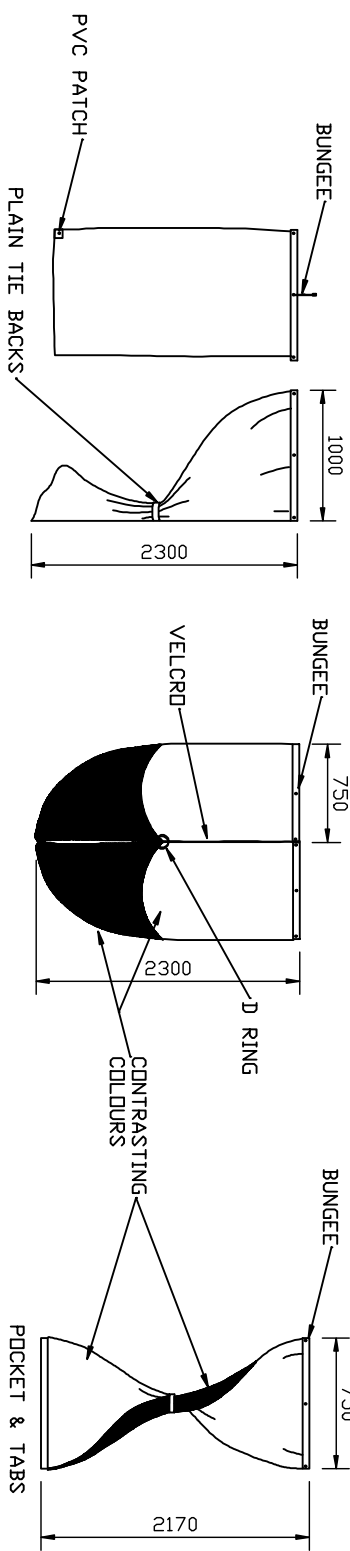
2. ALL DIMENSIONS IN MILLIMETERS UNLESS OTHERWISE STATED
3. DIMENSIONAL TOLERANCES UNLESS OTHERWISE STATED
FULL DIMENSIONS TO DIM 1 DECIMAL PLACE 4. DIM
5. DIMENSIONAL TOLERANCES UNLESS OTHERWISE STATED

4. MATERIAL SPECIFICATION: AS SALES ORDER
5. FINISH SPECIFICATION: N/A

WINDOW DRAPES

LINED WINDOW DRAPES

TWISTED WALL OVERLAY

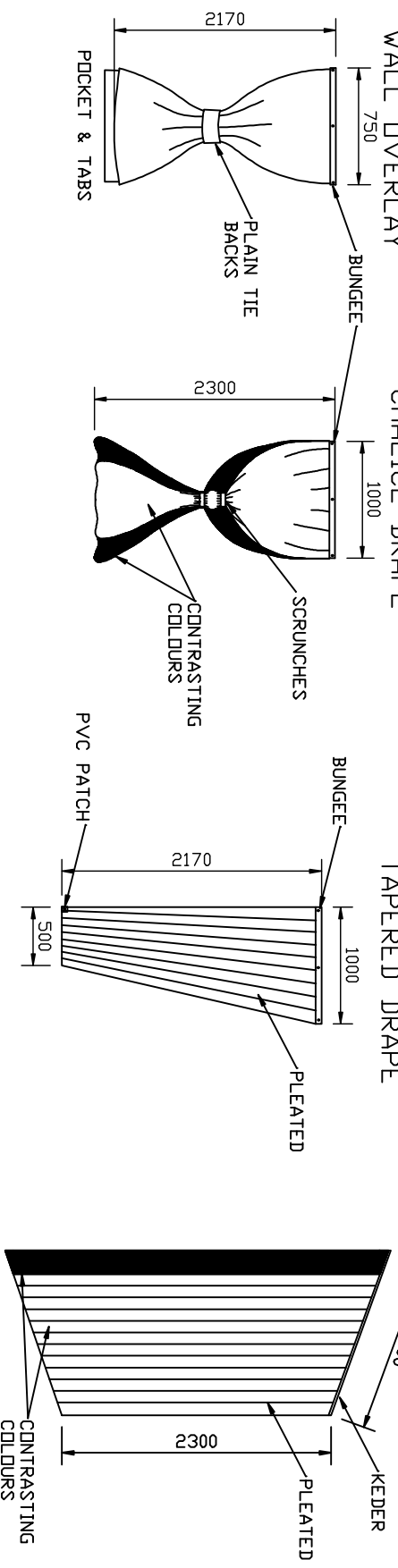


WALL OVERLAY

CHALICE DRAPE

TAPERED DRAPE

PARIS DRAPE



Quepda Road, Bhamra Manor, Southampton, SO16 1AD
Tel: 02380 258744 Fax: 02380 222851 Customer@overlays.co.uk

TITLE ESTABLISHMENT
STD DRAPES & WALL OVERLAYS

NO	REVISION/DESCRIPTION	REVISED	QUANTITY	DATE	REMARKS
A					
B					
C					
D					
E					
F					

DESIGNER: TG
QUANTITY: 23/10/09
DATE: 23/10/09
FILE: DWG1986
NAME: DWG1986
DRAWING NUMBER: DWG0001986
PREFERRED: CC/TECH

1 2 3 4 5 6 7 8 9 10