

SCALE : NTS

NOTES:

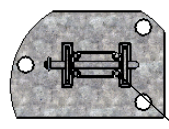
1. THIS DRAWING IS THE PROPERTY OF CUSTOM COVERS (1984) Ltd.
AND IS ISSUED ON THE CONDITION THAT IT IS NOT REPRODUCED OR
COPIED TO ANY UNAUTHORISED PARTIES WITH WRITTEN PERMISSION

2. ALL DIMENSIONS IN MILLIMETERS UNLESS OTHERWISE STATED
3. DIMENSIONAL TOLERANCES UNLESS OTHERWISE STATED:
FULL DIMENSIONS ±1.5mm 1 DECIMAL PLACE ±0.5mm
2 DECIMAL PLACES ± 0.2mm. ANGULAR DIMENSIONS ±0.15°

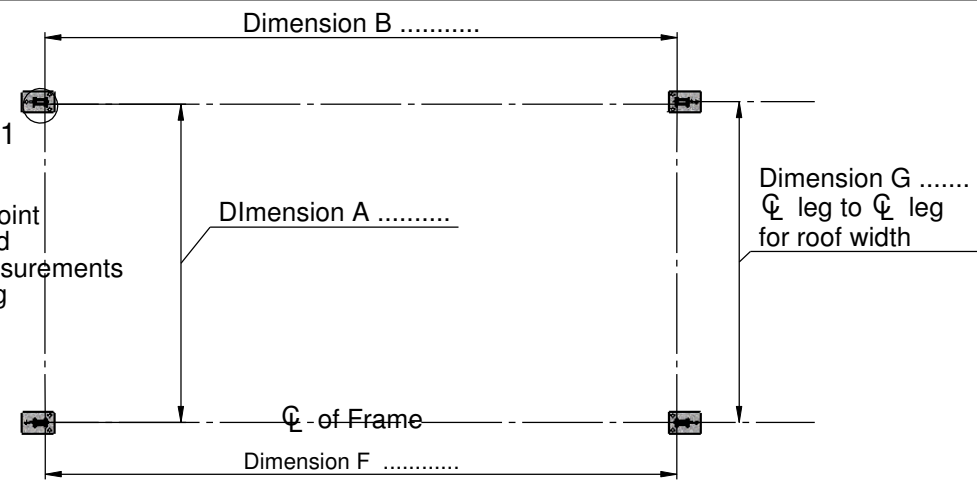
4. MATERIAL SPECIFICATION: ---
5. FINISH SPECIFICATION: --
6. UNIT WEIGHT: -- Kilograms

VIEW/
SIDE: 3rd ANGLE

SHEET 1 OF 1



Reference Point
for Gable and
Hip end Measurements
is edge of leg



SECTION A-A

Fixing Details

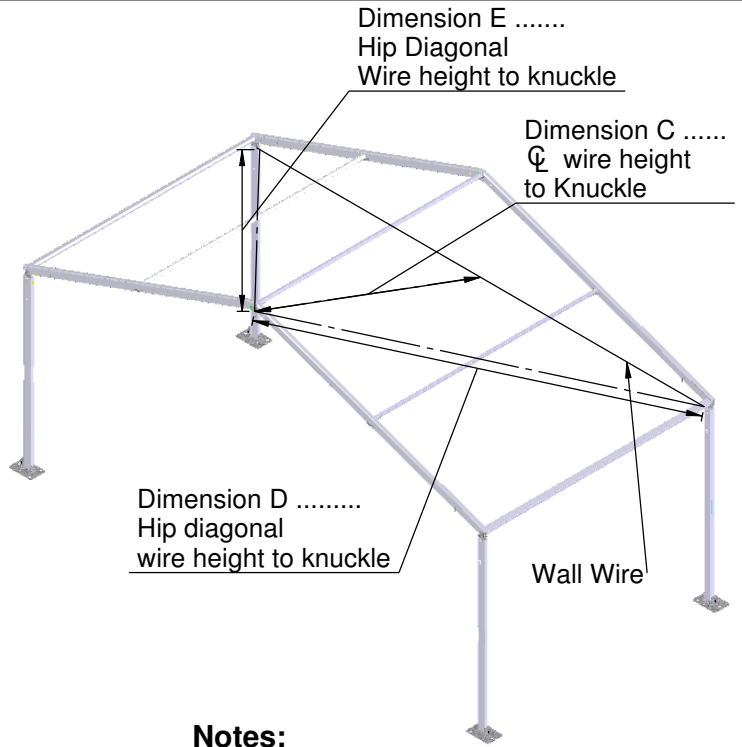
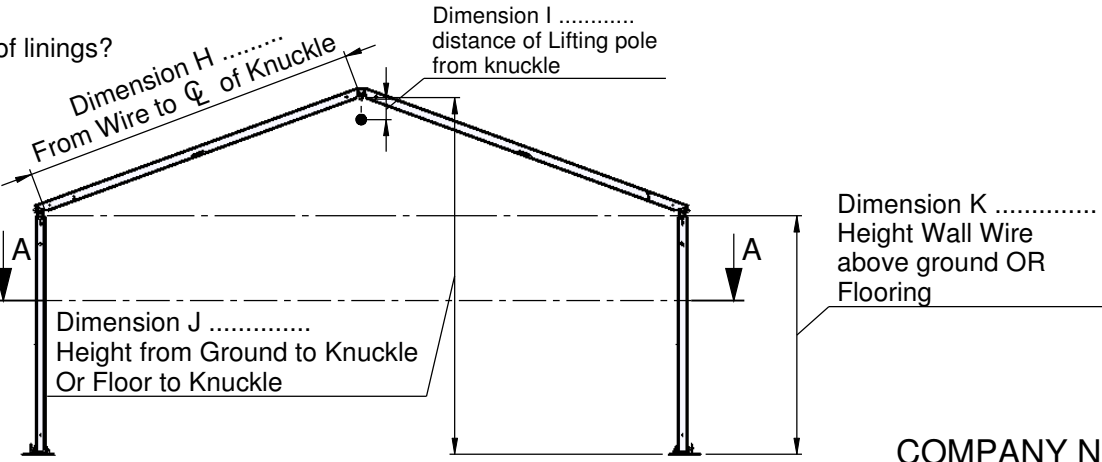
How is roof fixed?
.....

Which Direction to edge hooks face?
Up or Down

Do hooks project past edge of linings?
Yes or No

How is wall fixed at top?
.....

What Velcro Spec?
Custom Covers or Other?



Notes:

- Please advise
1. Frame Type
 2. Frame size
 3. If Linings to match existing, please advise length of roof lining
 4. If linings attach to frame or lifting pole
 5. All 11 measurements A to K

COMPANY NAME

CONTACT FOR QUERIES



Quayside Road, Bittern Manor, Southampton. SO18 1AD
Tel: 023 8033 5744 Fax: 023 8022 5581 Customcovers.co.uk

| REV | DESCRIPTION/JUSTIFICATION | REVISED | CHECKED | DATE | RELEASE No |
|-----|---------------------------|---------|---------|------|------------|
| A | | | | | |
| B | | | | | |
| C | | | | | |
| D | | | | | |
| E | | | | | |
| F | | | | | |

| | | | |
|---|----------------------|--------------------|------------------|
| TITLE :- ESTABLISHMENT Lining Measurement Form - Hip & Gable | | | |
| PART No :- --- | | | |
| DRAWN S Bell | CHECKED T Golding | DATE 04/04/2006 | FRAME CC/TECH |
| FILE NAME: DWG6434 | | | |
| DRAWING NUMBER: DWG0006434 | | | |